

MAN76877P

Model 76877P

Portable Subject's Chair

Assembly Instructions

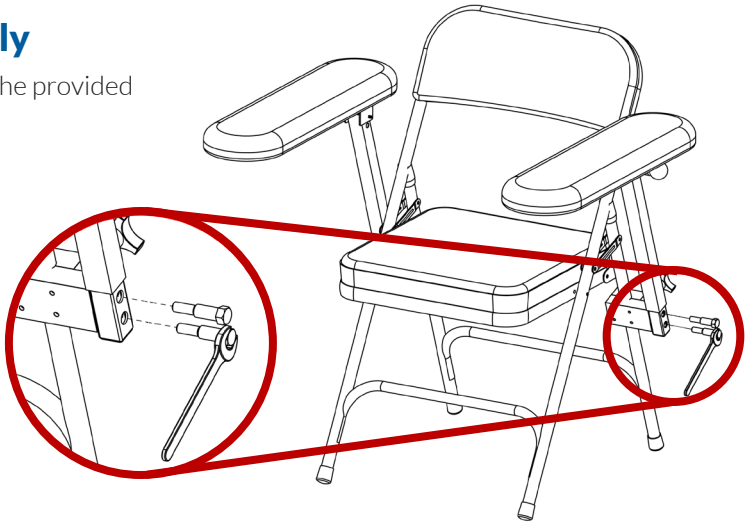


3700 Sagamore Parkway N
Lafayette, IN 47904
Tel: (765) 423-1505

info@lafayetteinstrument.com
www.lafayetteinstrument.com

Arm Assembly

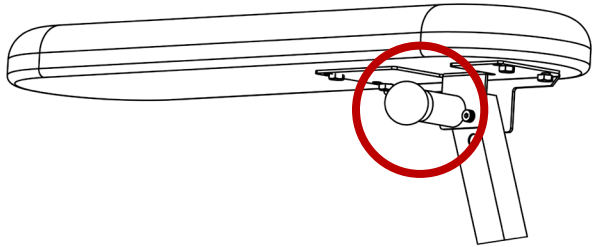
Attach arms using the provided bolts and wrench.



Operation

Raise and Lower Arms

Pull the attached pop pin to raise and lower the arm.



Adjust Arm Height

Adjust the arm height by loosening and tightening the adjustment knob.

